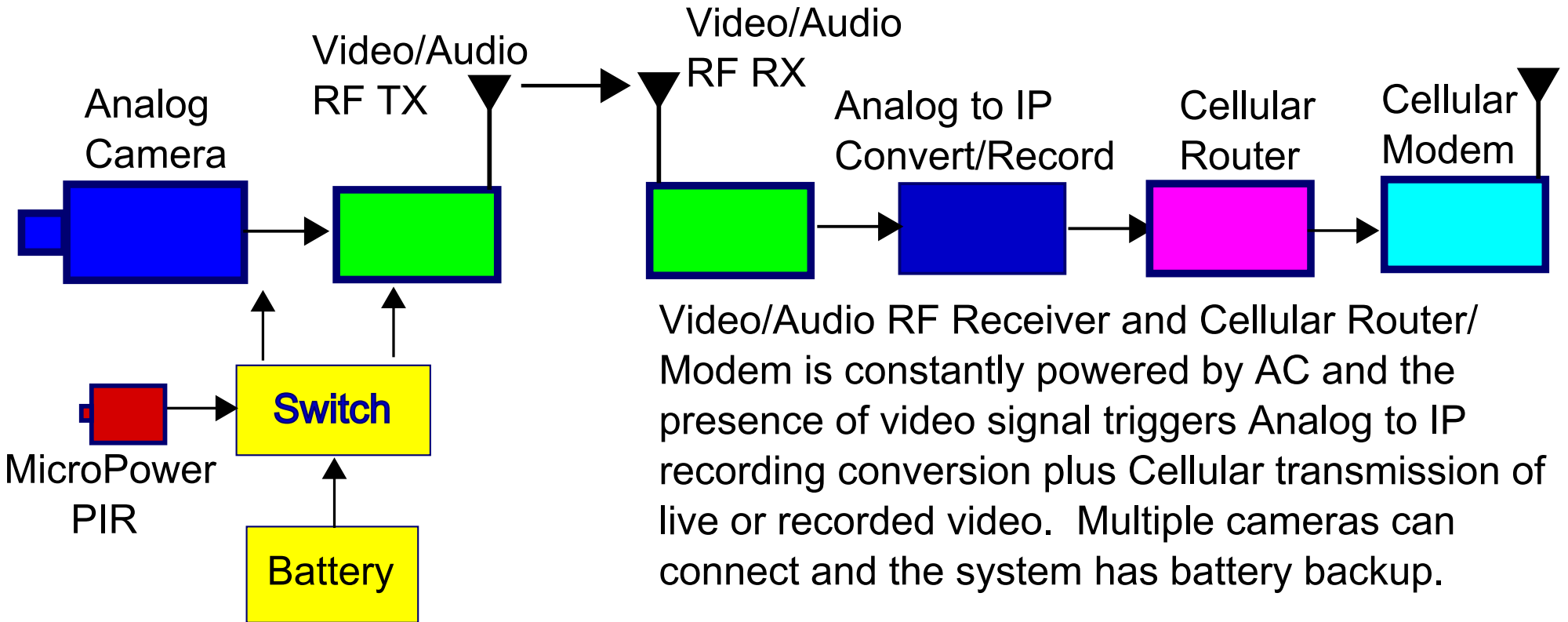


# Video WAN

## MicroPower PIR Power Switching for an Analog Video/RF Transmission System with Cellular Data Interface



Video/Audio RF Receiver and Cellular Router/Modem is constantly powered by AC and the presence of video signal triggers Analog to IP recording conversion plus Cellular transmission of live or recorded video. Multiple cameras can connect and the system has battery backup.

A MicroPower PIR turns on power for an Analog camera and Analog RF Transmitter for a timed event period. The advantage is that an Analog Camera is "Instant-On" from a powered off state, versus an IP camera with a "boot time", allowing for extended battery operation or indefinite, unattended operation with solar charging. An additional transmitter can be added to poll for supervised operation.